

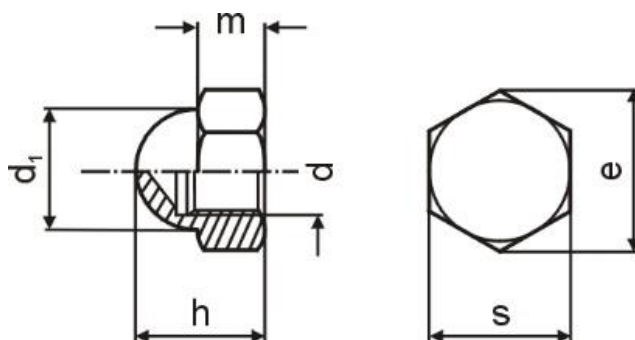
# Matice 6hranná KLOBOUKOVÁ NEREZ A2



DIN: 1587

ČSN:

ISO:



d	d <sub>1</sub> max	e min	h	s	kód Fastek
<b>M3</b>	5,0	6,08	6,5	5,5	6KL03-A2
<b>M4</b>	6,5	7,66	8	7	6KL04-A2
<b>M5</b>	7,5	8,79	10	8	6KL05-A2
<b>M6</b>	9,5	11,05	12	10	6KL06-A2
<b>M8</b>	12,5	14,38	15	13	6KL08-A2
<b>M10</b>	16,0	18,90	18	17	6KL10-A2
<b>M12</b>	18,0	21,10	22	19	6KL12-A2
<b>M14</b>	20,0	23,35	25	22	6KL14-A2
<b>M16</b>	23,0	26,75	28	24	6KL16-A2
<b>M18</b>	26,0	29,56	31	27	6KL18-A2
<b>M20</b>	28,0	32,95	34	30	6KL20-A2
<b>M22</b>	33,0	37,29	38	32	6KL22-A2
<b>M24</b>	34,0	39,55	41	36	6KL24-A2